



Innovative Solutions For Coffee Roasters

Classic De-Stoner for roasters up to 60kg.



**Patent pending fluid bed design
Food grade polished stainless steel
Very quiet operation, under 76db
Automatic operation
Made to fit any roaster
Adjustable height.
Heavy duty stainless steel frame
Clamped design for easy cleaning
Pug into standard 110 volt socket
Fits on small pallet for shipping
Rated for up to a 60kg roaster
110 or 240 volts, 15 amps**

If you're looking for a great de-stoner that will work with any roaster, up to 60kg, this is the de-stoner for you. Just open the cooler door and the de-stoner will start placing all of the roasted beans in a container without damaging beans. It is fully adjustable so it can easily fit any roaster. Even if you need a larger hopper it is available at a low cost. You may not need a food grade de-stoner today but you may in the future.

Fully automatic, just open your cooler and say goodbye to your stones!



Innovative Solutions For Coffee Roasters

Classic De-Stoner for roasters up to 60kg.

The adjustable vent provides speed control to prevent damaging beans.



Blow tube with speed control. The blow tube reverses the airflow to clean the fines separator and push out oily beans.

Food-grade Class 3A stainless steel

Super quiet Vac with HEPA filter bag.

Sensor to start batch

Automatic dump Valve

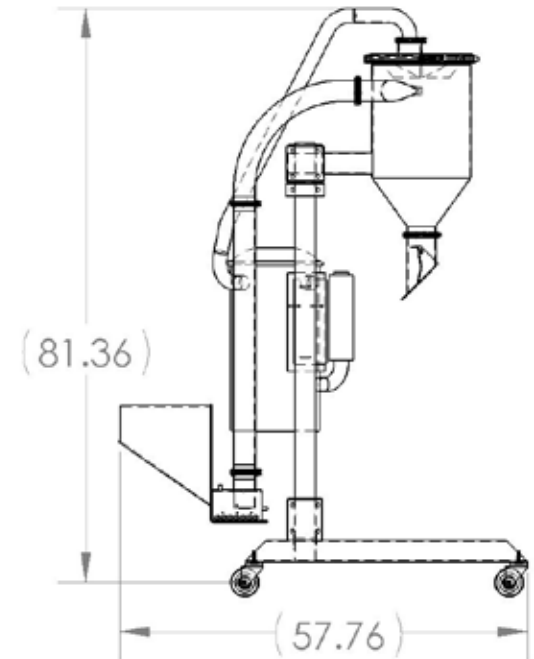
PLC Control

Locking casters

Heavy structural stainless steel frame



Patent pending fluid-bed separator will remove even the smallest stones and other dense particles.



Advanced Auxiliary Equipment Inc.
116 Bohannon park
Shacklefords, Va 23156
800.918.5820
Coffeeloaders.com