



## *Innovative Solutions For Coffee Roasters*

**The DeStoner, a simple solution for roasters.**



**Remove even the smallest stones**  
**Will not damage beans**  
**Very quiet**  
**Patent pending fluid bed design**  
**Polished stainless steel**  
**110 or 220 volts**

The DeStoner is the world's most popular de-stoner. It is the only de-stoner that never damages beans. The beans pass through floating in a bed of air. Stones and other particles remain on the bed after the beans have passed. Just turn it on and let it run. It can process beans up to 2000 pounds per hour so your roast will pass through in a minute or two.

**The world's most popular de-stoner!**



## Innovative Solutions For Coffee Roasters

Classic De-Stoner for roasters up to 60kg.



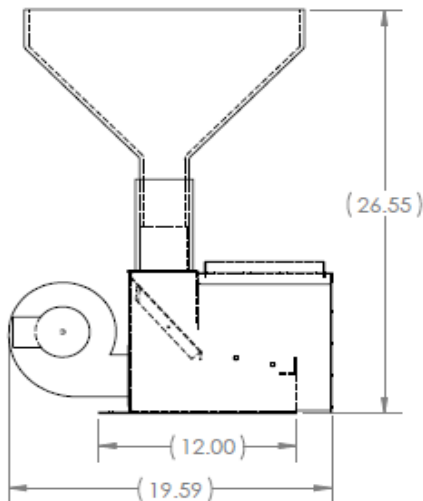
The simplest installation is to set it on a wire table. The beans will flow through the wires.



Adjust the air flow to match your application. Run fast and catch all of the stones. Slow it down and you can separate green beans from a dark roast.



Add an extension to hold up to 20 pounds of roasted beans. You do not need to hold your entire roast. It processes so fast you can keep pouring after it starts.



Advanced Auxiliary Equipment Inc.  
116 Bohannon park  
Shacklefords, Va 23156  
800.918.5820  
[Coffeeloaders.com](http://Coffeeloaders.com)