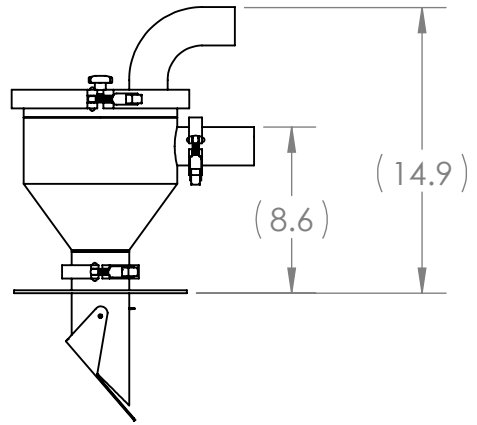
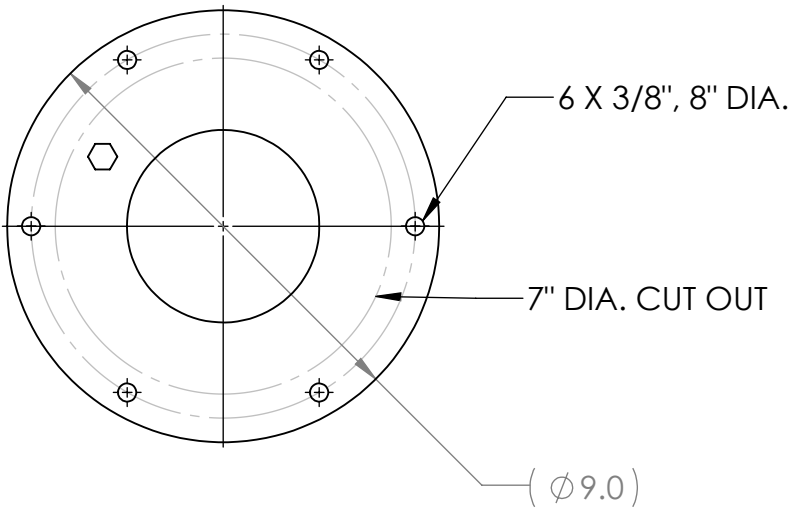


2

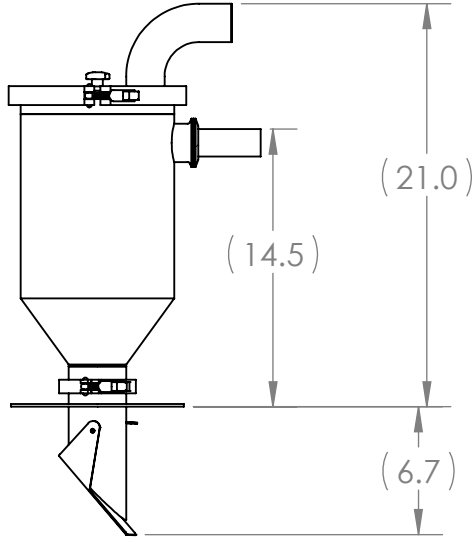
1

B

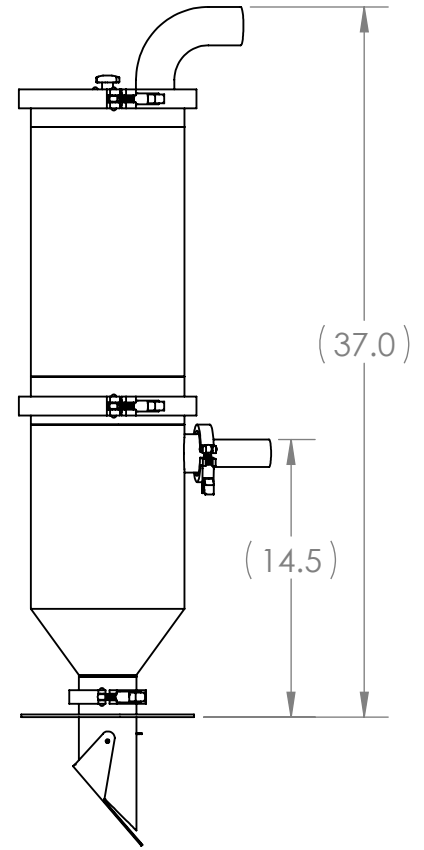
B



PS8 5# RECEIVER



PS8 15# RECEIVER



PS8 15# RECEIVER BAG FILTER

A

A

2

1

<p>PROPRIETARY AND CONFIDENTIAL</p> <p>THE INFORMATION CONTAINED IN THIS DRAWING IS THE SOLE PROPERTY OF <INSERT COMPANY NAME HERE>. ANY REPRODUCTION IN PART OR AS A WHOLE WITHOUT THE WRITTEN PERMISSION OF <INSERT COMPANY NAME HERE> IS PROHIBITED.</p>	<p>DIMENSIONS ARE IN INCHES</p> <p>TOLERANCES:</p> <p>FRACTIONAL ±</p> <p>ANGULAR: MACH ± BEND ±</p> <p>TWO PLACE DECIMAL ±</p> <p>THREE PLACE DECIMAL ±</p>	<p>DRAWN NAME</p> <p>DATE</p>	<p>Advanced Auxiliary Equipment, Inc</p>		
	<p>MATERIAL</p> <p>DO NOT SCALE DRAWING</p>	<p>COMMENTS:</p>	<p>PS 8 SERIES VACUUM CHAMBERS</p>		
			<p>SIZE A</p>	<p>DWG. NO.</p> <p>PS8 SERIES VACUUM CHAMBERS</p>	<p>REV</p>
			<p>SCALE: 1:10</p>	<p>SHEET 1 OF 1</p>	